



ELIS PLZEŇ a.s.



**ULTRASONIC WATER METERS FLOMIC FL5024
FLOMIC FL5044**

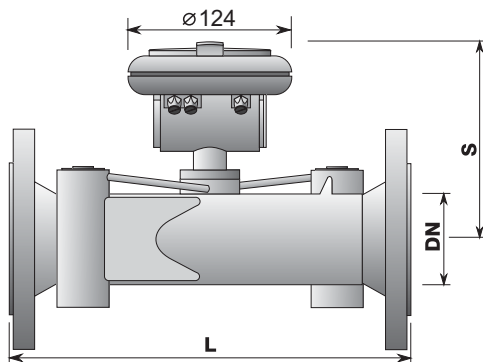
FLOMIC FL5024, FL5044

The battery-powered **FLOMIC FL5024** and **FLOMIC FL5044** ultrasonic water meters are intended for operational and invoicing measurements of instantaneous flow rate, pressure and consumption in water piping in observance of standard EN 14154 in water works, water distribution systems and other industrial applications. These water meters are of a compact design with the IP 68 protection class. They are characterised by high measurement accuracy and long-term stability over a wide range of measured values. The meters do not need any external power supply, do not include any moving parts and, have significantly lower hydraulic losses. The technical parameters and other features of the FLOMIC water meters make them suitable not only for water consumption measurements, but also for water-leak tracking and monitoring of the general condition of water-supply networks, where the meter output signals can be connected via data transfer systems to remote computer control stations. The measurement method utilised by these meters is a single-beam (FL5024) or dual-beam (FL5044) transit-time pulse method based on evaluation of the time needed for an ultrasonic signal to cross the distance between two measuring transducers. In the standard version, the meter measures instantaneous flow rate (in m³/hour) and the total volume of water passed through the meter (in m³) in the given flow direction. The measured data are converted into passive pulse output signals.

OPTIONAL METER ACCESSORIES:

- bi-directional flow rate and volume measurements with visual and electronic indication of the actual flow rate direction
- measurement and display of instantaneous water pressure values within the range of 1 to 16 bar
- using a passive current output signal 4 to 20 mA, monitoring the instantaneous flow rate or flow pressure values
- measured data storage with user-selectable sampling period of 1 minute to 1 year
- actual and stored data reading via the USB or RS 232 interface
- connection to a remote data transfer system by means of a GSM module
- use of alternative measurement units (Gal/min, or litre/sec)
- application of the meter within drinking-water supply systems
- power supply via the 4 to 20 mA current line

TECHNICAL PARAMETERS		FLOMIC FL5044								
		FLOMIC FL5024								
nominal diameter		32	40	50	65	80	100	125	150	200
overload flowrate Q ₄ [m ³ /h]		12.5	20	31.25	50	78.75	125	200	312.5	500
permanent flowrate Q ₃ [m ³ /h]		10	16	25	40	63	100	160	250	400
transitional flowrate Q ₂ [m ³ /h]	FL5024	0.32	0.512	0.8	1.28	2.016	3.2	5.12	8.0	12.8
	FL5044				0.64	1.0	1.6	2.5	4.0	6.4
minimum flowrate Q ₁ [m ³ /h]	FL5024	0.2	0.32	0.5	0.8	1.26	2.0	3.2	5.0	8.0
	FL5044				0.4	0.63	1.0	1.6	2.5	4.0
pulse output constant k _i [litres/pulse]		10	10	25	50	50	100	100	100	250
water pressure class		MAP 16								
temperature class		T50								
flow-profile	before meter	U5 (FL5044), U10 (FL5024)								
sensitivity class	after meter	D3 (FL5044), D5 (FL5024)								
pressure loss class		ΔP 10								
climatic and mechanical resistance class		B								
electromagnetic environment		E1, E2								
flowrate sampling period		1 sec								
display unit		single-line 8 character LC displaz								
power supply		Li battery 3.6 V/19 Ah - lifetime 8 years in standard meter version								
protection class		IP 68								
output (insulated)		measured flow-rate values indicated in the form of passive pulse output U = 3 to 30 V, I = 0.002 to 10 mA, t _{imp} = 30 ms								
optional accessories		passive current output 4 to 20 mA, U = 10 to 24 V								
	bi-directional flow-rate measurement	+ passive pulse output, U = 3 to 30 V, I = 0.002 to 10 mA, t _{imp} = 30 ms								
		- passive pulse output, U = 3 to 30 V, I = 0.002 to 10 mA, t _{imp} = 30 ms								
		passive current output 4 to 20 mA, U = 10 to 24 V, in combination with passive electric contact for indication of the actual flow-rate direction								
		optically isolated interfaces USB, RS 232 or RS 232 + USB converter GSM module								



FL5024 FL5044

BASIC DIMENSION AND WEIGHT

diameter [mm]	32	40	50	65	80	100	125	150	200
L [mm]	260	300	300	300	350	350	350	350	350
S [mm]	140	145	150	155	160	165	180	190	205
weight [kg]	4.5	7	10	11	15	17.5	22.5	26	36.5



ELIS PLZEN a. s., LUCNI 15
P. O. BOX 126, 304 26 PLZEN
CZECH REPUBLIC

Phone: +420 377 517 711
FAX: +420 377 517 722
e-mail: sales@elis.cz
<http://www.elis.cz>